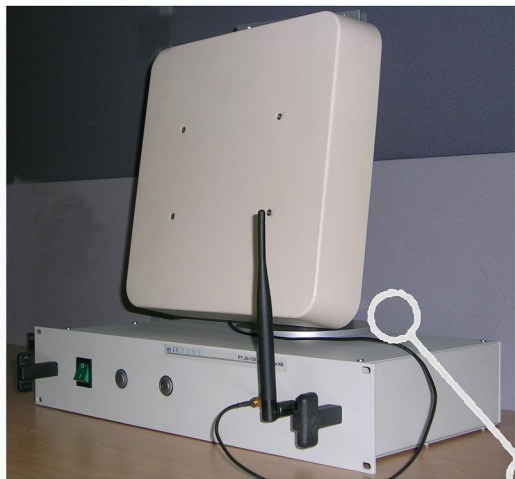


milZONE Intelligent Friend & Foe (IFF) Discrimination Jammer Kit

Tactical ECM products



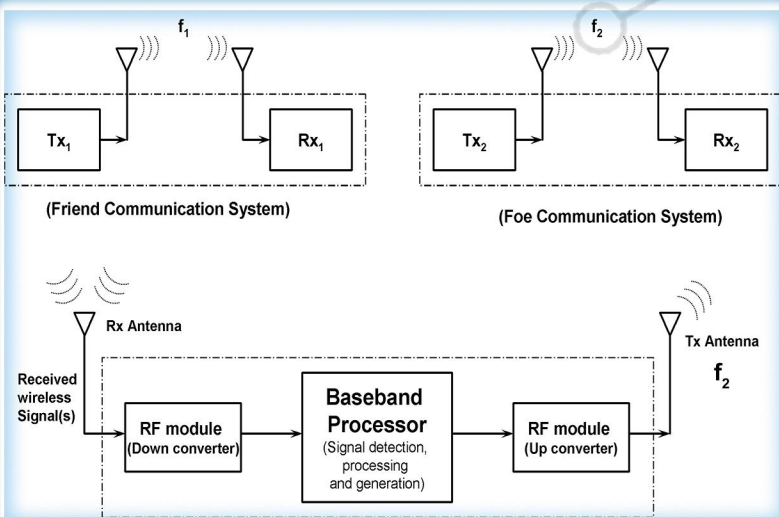
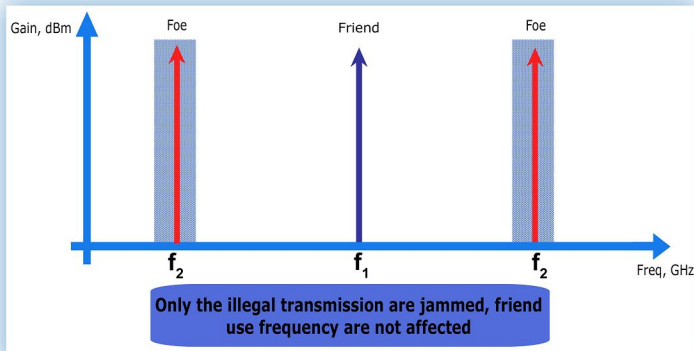
IFF jammer is an intelligent jammer which is equipped with an advanced responsive algorithm. The jammer has a receive antenna which monitors the communication channel closely and locates all the signals present in the channels. The jammer knows the law enforcement agency signal frequency as a default and consequently differentiates between the signal of the law enforcement agency (Friend) and other signals (Foe) present in the channel. Having identified the Friend and Foe, the jammer then generates a jamming signal which allows the friendly transmission and blocks the enemy transmission.

Specifications

- Two RF channels (Rx & Tx module each)
- Separate baseband channels
- Independently programmable RF frequencies
- 2.4 GHz to 2.5 GHz license free spectrum
- High performance baseband processor with 1.5 Million gates
- FFT & IFFT IP core
- Response time: ~ 9 micro seconds
- Optional power amplifiers

Research & Experiments

- Signal detection and FFT of the signals
- Signal processing algorithm and IFFT
- Generation of different frequency signals
- Frequency determination using FFT
- Jamming signal generation using IFFT
- Jamming signal generation using LUT
- Predictive responsive jammer research



IFF Jammer Kit Block Diagram

polarizone



Innovative wireless platforms



Contact

Polarizone Technologies Sdn. Bhd.
 Lot 3-1, Incubator 3,
 Technology Park Malaysia,
 Lebuhraya Puchong - Sg Besi, Bukit Jalil,
 57000, Kuala Lumpur, Malaysia.
 website: www.polarizone.com
 email: info@polarizone.com
 tel: +603 8996 8170 fax: +603 8996 9171